

ZAXIS-6 series

HITACHI

Reliable solutions

ZAXIS 26U



HYDRAULIC EXCAVATOR

Model code : ZX26U-6

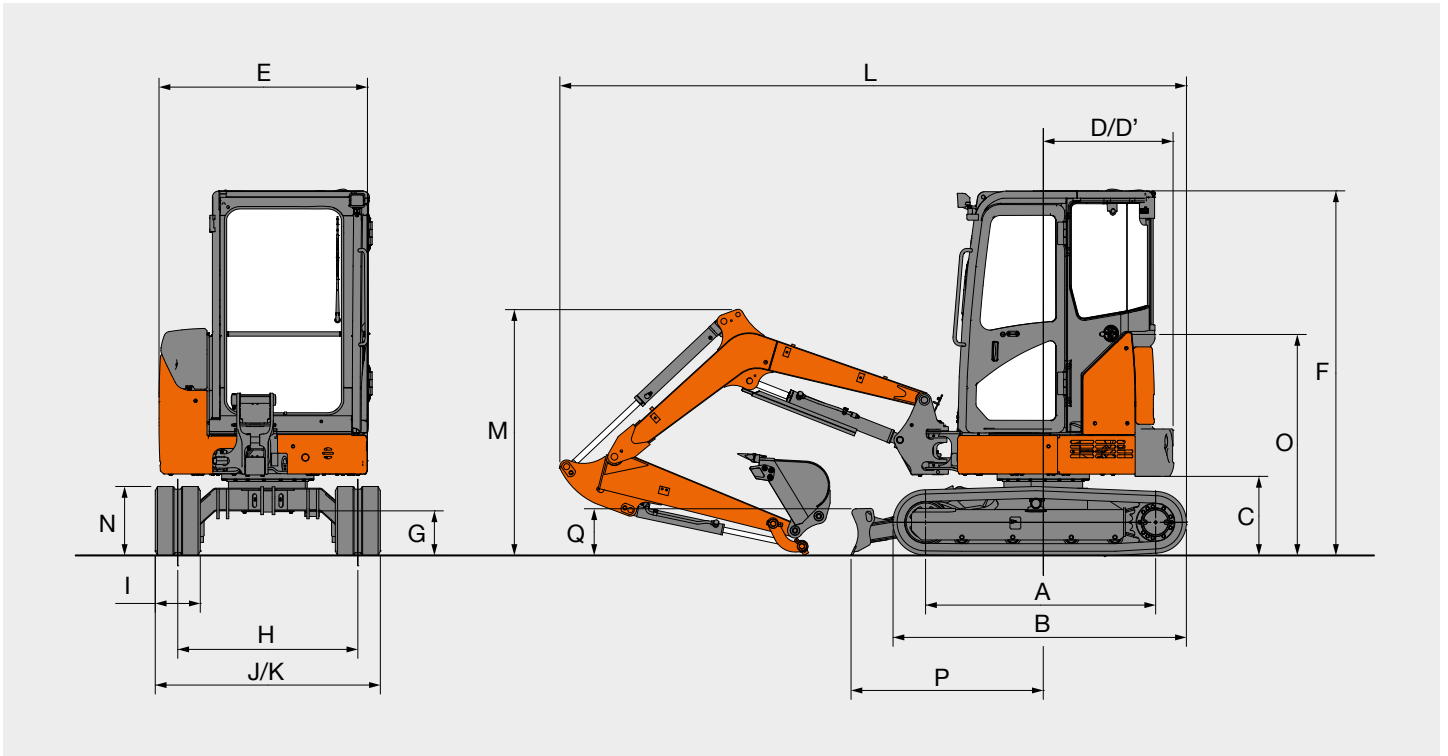
Engine rated power : 15.6 kW (ISO14396)

Operating weight : Cab 2 720 kg

Canopy 2 570 kg

Bucket ISO heaped : 0.07 – 0.08 m³

DIMENSIONS



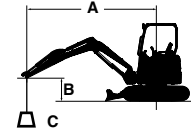
This illustration shows with 1.30 m arm, 0.080 m³ bucket and 300 mm rubber shoes.

Unit: mm

	ZAXIS 26U	
	Cab	4-Pillar Canopy
A Distance between tumblers		1 530
B Undercarriage length		1 960
C Counterweight clearance		540
D Rear-end swing radius		870
D' Rear-end length		870
E Overall width of upperstructure	1 420	1 390
F Overall height of cab		2 430
G Min. ground clearance		300
H Track gauge		1 200
I Track shoe width		300
J Undercarriage (Blade) width		1 500
K Overall width		1 500
L Overall length		4 100
M Overall height of boom		1 640
N Track height		465
O Engine cover-height	1 470	1 490
P Horizontal distance to blade		1 280
Q Blade height		320

MACHINE CAPACITIES

- Notes: 1. Ratings are based on ISO 10567.
 2. Lifting capacity does not exceed 75% of tipping load with the machine on firm, level ground or 87% full hydraulic capacity.
 3. The load point is the center-line of the bucket pivot mounting pin on the arm.
 4. *Indicates load limited by hydraulic capacity.
 5. 0 m = Ground.



A: Load radius
 B: Load point height
 C: Lifting capacity

To determine lifting capacities, apply "Rating over-side or 360 degrees" machine capacities from table with "Blade above Ground" and deduct weight of installed attachment and quick hitch.

ZAXIS 26U CAB Version, Blade above Ground

Rating over-front Rating over-side or 360 degrees Unit : 1 000 kg

Conditions	Load point height m	Load radius								At max. reach		
		1.0 m		2.0 m		3.0 m		4.0 m				meter
Boom 2.10 m Arm 1.30 m Counterweight 150 kg Rubber shoe 300 mm	2.0					0.56	0.41			0.35	0.26	3.93
	1.0					0.52	0.38	0.33	0.24	0.33	0.24	4.07
	0 (Ground)			0.93	0.64	0.50	0.36			0.34	0.25	3.90
	-1.0	*1.68	*1.68	0.94	0.65	0.50	0.36			0.43	0.31	3.35
	-2.0			*0.88	0.69					*0.88	0.69	2.01

ZAXIS 26U CAB Version, Blade on Ground

Rating over-front Rating over-side or 360 degrees Unit : 1 000 kg

Conditions	Load point height m	Load radius								At max. reach		
		1.0 m		2.0 m		3.0 m		4.0 m				meter
Boom 2.10 m Arm 1.30 m Counterweight 150 kg Rubber shoe 300 mm	2.0					*0.75	0.41			*0.59	0.26	3.93
	1.0					*1.01	0.38	0.76	0.24	*0.63	0.24	4.07
	0 (Ground)			*1.81	0.64	*1.18	0.36			*0.77	0.25	3.90
	-1.0	*1.68	*1.68	*1.94	0.65	*1.09	0.36			*0.89	0.31	3.35
	-2.0			*0.88	0.69					*0.88	0.69	2.01

ZAXIS 26U 4-Pillar Canopy Version, Blade above Ground

Rating over-front Rating over-side or 360 degrees Unit : 1 000 kg

Conditions	Load point height m	Load radius								At max. reach		
		1.0 m		2.0 m		3.0 m		4.0 m				meter
Boom 2.10 m Arm 1.30 m Counterweight 240 kg Rubber shoe 300 mm	2.0					0.54	0.40			0.35	0.25	3.93
	1.0					0.51	0.37	0.33	0.24	0.32	0.23	4.07
	0 (Ground)			0.91	0.62	0.48	0.35			0.33	0.24	3.90
	-1.0	*1.68	*1.68	0.92	0.63	0.48	0.35			0.41	0.30	3.35
	-2.0			*0.88	0.68					*0.88	0.67	2.01

ZAXIS 26U 4-Pillar Canopy Version, Blade on Ground

Rating over-front Rating over-side or 360 degrees Unit : 1 000 kg

Conditions	Load point height m	Load radius								At max. reach		
		1.0 m		2.0 m		3.0 m		4.0 m				meter
Boom 2.10 m Arm 1.30 m Counterweight 240 kg Rubber shoe 300 mm	2.0					*0.75	0.40			*0.59	0.25	3.93
	1.0					*1.01	0.37	0.74	0.24	*0.63	0.23	4.07
	0 (Ground)			*1.81	0.62	*1.18	0.35			*0.77	0.24	3.90
	-1.0	*1.68	*1.68	*1.94	0.63	*1.09	0.35			*0.89	0.30	3.35
	-2.0			*0.88	0.68					*0.88	0.67	2.01

EQUIPMENT

● : Standard equipment

○ : Optional equipment

ENGINE

Air cleaner double filters	○
Alternator 12V - 40 A	●
Cartridge-type engine oil filter	●
Fuel main filter	●
Radiator reserve tank	●
Water-separator for engine fuel	●

HYDRAULIC SYSTEM

Full-flow filter	●
Hydraulic pilot type control levers	●
Pilot control shut-off lever with neutral engine start system	●
Pilot filter	●
Suction filter	●
Swing parking brake	●
Travel parking brake	●
Two-speed travel system	●
Valve for extra piping	●

CAB

AM/FM radio	●
Anti-slip plate	●
Arm rests	●
Defroster	●
Drink holder	●
Electric horn	●
Floor mat	●
Heater	●
Power outlet 12V (inside)	○
Power outlet 12V (outside)	○
ROPS/OPG cab	●
Seat belt	●
Sun visor (front window (light type))	○
Suspension seat	●
Window washer	●
Wiper	●

4-PILLAR CANOPY

Anti-slip plate	●
Arm rests	●
Drink holder	●
Electric horn	●
Floor mat	●
Power outlet 12V (inside)	○
ROPS/OPG canopy	●
Seat belt	●
Suspension seat	●

LIGHTS

2 working light	●
2 working LED light	○

UPPERSTRUCTURE

Auxiliary function lever (AFL)	○
Auxiliary overload relief valve	○
Batteries 1 x 36 Ah	●
Battery disconnect switch	●
Counterweight (cab) 150 kg	●
Counterweight (4-pillar canopy) 240 kg	●
Pilot accumulator	○

UNDERCARRIAGE

Rubber shoe 300 mm	○
--------------------	---

FRONT ATTACHMENTS

Arm 1.30 m	●
Boom 2.10 m	●
Extra piping	●
HN bushing	●

MISCELLANEOUS

Theft deterrent system*	○
-------------------------	---

Standard and optional equipment may vary by country, so please consult your Hitachi dealer for details.

* Hitachi Construction Machinery cannot be held liable for theft, any system will just minimize the risk of theft.